

KLT-OIS-AF-OV5640-C V1.0

OmniVision OV5640 MIPI Interface Auto-foco 5MP Módulo de Câmera Estabilizador Micro Gimbal, Plataforma de Estabilização Ótica de Imagem (OIS)



Módulo de câmara No.	KLT-OIS-AF-OV5640-C V1.0
Sensor de imagem	OV5640
Estabilizador	Estabilizador Micro Gimbal(MGS)
EFL	3.29 mm
F.NO	2.8
Pixel	2940 x 1944
Ângulo de visão	69°
Tipo de lente	1/4 polegada
Dimensões da lente	19.00 x 19.00 x 9.9 mm
Tamanho do Módulo	39.00 x 19.00 mm
Tipo de Módulo	Auto-foco
Interface	MIPI

Acasalamento Parte conector No. BAF04-30083-0500

Conector de acoplamento na placa principal. Vendido separadamente.

OIS Camera Modules

(OIS = Optical Image Stabilization Platform)

World's Smallest Gimbal Stabilizer



Core Technologies:

- MGS (micro gimbal stabilizer)
(The lens and image sensor tilt together)
- ± 5 deg max. compensation angle
(More than enough for walking and jogging)
- Innovative anti-shaking solutions with 10+ patents
- Integrated design, including a gyroscope and an MGS driver IC

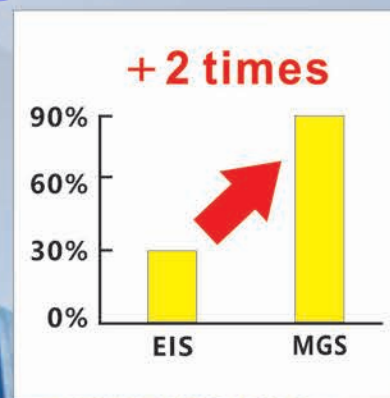
EIS:



MGS:



Face recognition success rate



MGS can significantly reduce blur especially in low-light conditions, and thus support dynamic face recognition and other emerging technologies

Main Advantages:

- Support horizontal FOV over 100deg
- Support all-glass lens
- 2m+ drop test
- Easy to use
- One-stop anti-shaking solution provider
- Light weight down to 5g
- Small size down to 19×19mm
- Competitive price

Ordering Models



KLT-OIS-USB1A-IMX258 V1.0



KLT-OIS-AF-IMX258-C V1.0

MGA190 series:

Size: 19×19×9.9mm

Auto Focus MGS

Largest FOV: 100deg

Max. compensation angle: ±5deg

Weight: 5g

Support a wide variety of lenses and image sensors

Supported sensors:

OmniVision OV5640, Sony IMX179 & IMX258

MGF250 series:

Size: 25x25x15mm

Fixed Focus MGS

Largest FOV: 140deg

Max. compensation angle: ±5deg

Weight: 28g

Support a wide variety of lenses and image sensors

Supported sensors:

Onsemi AR1335, OmniVision OV2718 & OV4689



KLT-OIS-FF-OV4689 V7.0A

Module	Resolution	Sensor	Focus	DFOV
KLT-OIS-AF-IMX258-C V1.0	13 MP OIS	IMX258-C	Auto	87.6
KLT-OIS-USB1A-IMX258 V1.0	13 MP OIS	IMX258	Auto	87.6
KLT-OIS-FF-OV4689 V7.0A	4 MP OIS	OV4689	Fixed	122

Product Applications:



AI face recognition



Body worn camera



Robot



AR/VR smart glasses



Sport DV



OV5640 5-megapixel product brief



1/4-inch, 5-Megapixel SOC Image Sensor Optimized for High-Volume Mobile Markets



available in
a lead-free
package

The OV5640 delivers a complete 5-megapixel camera solution on a single chip, aimed at offering cost efficiencies that serve the high-volume autofocus (AF) camera phone market. The system-on-a-chip (SOC) sensor features OmniVision's 1.4 micron OmniBSI™ backside illumination architecture to deliver excellent pixel performance and best-in-class low-light sensitivity, while enabling ultra compact camera module designs of 8.5 mm x 8.5 mm with <6 mm z-height. The OV5640 provides the full functionality of a complete camera, including anti-shake technology, AF control, and MIPI while being easier to tune than two-chip solutions, making it an ideal choice in terms of cost, time-to-market and ease of platform integration.

The OV5640 enables 720p HD video at 60 frames per second (fps) and 1080p HD video at 30 fps with complete user control over formatting and output data transfer. The 720p/60 HD video is captured in full field of view (FOV) with 2 x 2 binning, which doubles the sensitivity and improves the signal-to-noise ratio (SNR). Additionally, a unique post-binning re-sampling filter function removes zigzag artifacts around slant edges and minimizes spatial artifacts to deliver even sharper, crisper

color images. To further improve camera performance and user experience, the OV5640 features an internal anti-shake engine for image stabilization, and it supports Scalado™ tagging for faster image preview and zoom.

The OV5640 offers a digital video port (DVP) parallel interface and a high-speed dual lane MIPI interface, supporting multiple output formats. An integrated JPEG compression engine simplifies data transfer for bandwidth-limited interfaces. The sensor's automatic image control functions include automatic exposure control (AEC), automatic white balance (AWB), automatic band filter (ABF), 50/60 Hz automatic luminance detection, and automatic black level calibration (ABLC). The OV5640 delivers programmable controls for frame rate, AEC/AGC 16-zone size/position/weight control, mirror and flip, cropping, windowing, and panning. It also offers color saturation, hue, gamma, sharpness (edge enhancement), lens correction, defective pixel canceling, and noise canceling to improve image quality.

Find out more at www.ovt.com.

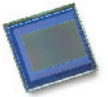
Applications

- Mobile Phones
- Entertainment
- Digital Still and Video Cameras

Product Features

- 1.4 μm x 1.4 μm pixel with OmniBSI technology for high performance (high sensitivity, low crosstalk, low noise, improved quantum efficiency)
- optical size of 1/4"
- automatic image control functions:
 - automatic exposure control (AEC)
 - automatic white balance (AWB)
 - automatic band filter (ABF)
 - automatic 50/60 Hz luminance detection
 - automatic black level calibration (ABLCL)
- programmable controls for frame rate, AEC/AGC 16-zone size/position/weight control, mirror and flip, cropping, windowing, and panning
- image quality controls: color saturation, hue, gamma, sharpness (edge enhancement), lens correction, defective pixel canceling, and noise canceling
- support for output formats: RAW RGB, RGB565/555/444, CCIR656, YUV422/420, YCbCr422, and compression
- support for LED and flash strobe mode
- support for internal and external frame synchronization for frame exposure mode
- support horizontal binning and vertical sub-sampling
- support horizontal binning and vertical sub-sampling
- post binning resampling filter to minimize spatial/aliasing artifacts on 2x2 binned image
- embedded JPEG compression
- support for anti-shake
- digital video port (DVP) parallel output interface and dual lane MIPI output interface
- embedded 1.5V regulator for core power
- programmable I/O drive capability, I/O tri-state configurability
- support for black sun cancellation
- embedded arbitrary scalar supporting any size from 5 MP and below
- auto focus control (AFC) with embedded AF VCM driver
- embedded microcontroller
- suitable for module size of 8.5 x 8.5 x $\pm 6\text{mm}$ with both CSP and RW packaging

OV5640



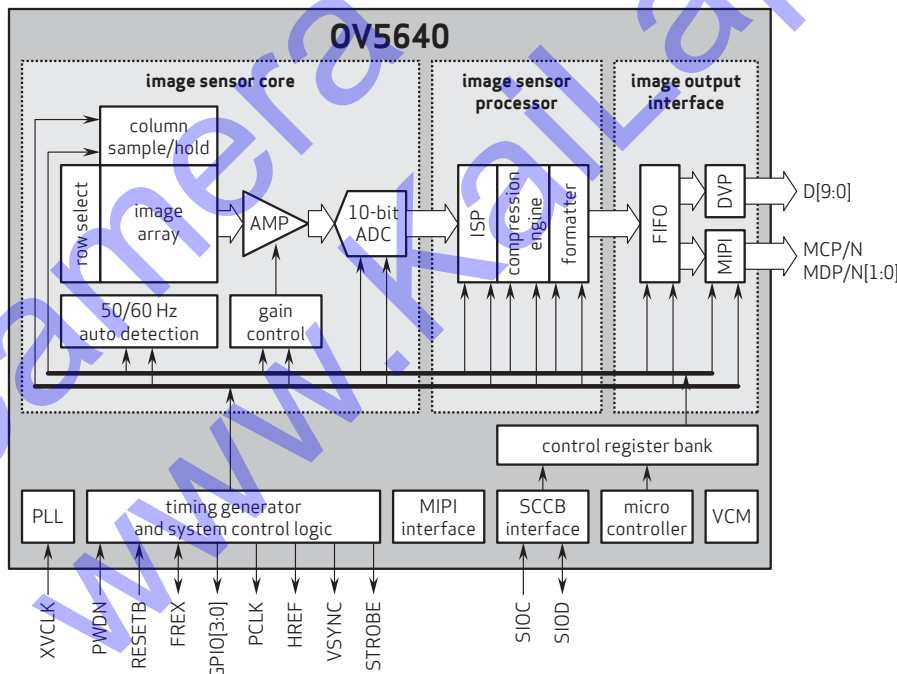
Ordering Information

- OV5640-A71A (color, lead-free, 71-pin CSP3)
- OV5640-G04A (color, chip probing, 200 μm backgrinding, reconstructed wafer)

Product Specifications

- active array size: 2592 x 1944
- power supply:
 - core: 1.5 V $\pm 5\%$ (with embedded 1.5 V regulator)
 - analog: 2.6 - 3.0 V (2.8 V typical)
 - I/O: 1.8 V / 2.8 V
- power requirements:
 - active: 140 mA
 - standby: 20 μA
- temperature range:
 - operating: -30°C to 70°C junction temperature
 - stable image: 0°C to 50°C junction temperature
- lens size: 1/4"
- lens chief ray angle: 24°
- input clock frequency: 6 - 27 MHz
- shutter: rolling shutter / frame exposure
- maximum image transfer rate:
 - QSXGA (2592x1944): 15 fps
 - 1080p: 30 fps
 - 1280 x 960: 45 fps
 - 720p: 60 fps
 - VGA (640x480): 90 fps
 - QVGA (320x240): 120 fps
- sensitivity: 600 mV/lux-sec
- maximum exposure interval: 1964 x t_{row}
- max S/N ratio: 36 dB
- dynamic range: 68 dB @ 8x gain
- pixel size: 1.4 μm x 1.4 μm
- dark current: 8 mV/sec @ 60°C junction temperature
- image area: 3673.6 μm x 2738.4 μm
- package dimensions:
 - CSP3: 5985 μm x 5835 μm
 - COB: 6000 μm x 5850 μm

Functional Block Diagram



4275 Burton Drive
Santa Clara, CA 95054
USA

Tel: + 1 408 567 3000
Fax: + 1 408 567 3001
www.ovt.com

OmniVision reserves the right to make changes to their products or to discontinue any product or service without further notice. OmniVision, the OmniVision logo and OmniPixel are registered trademarks of OmniVision Technologies, Inc. OmniBSI is a trademark of OmniVision Technologies, Inc. All other trademarks are the property of their respective owners.

OmniVision